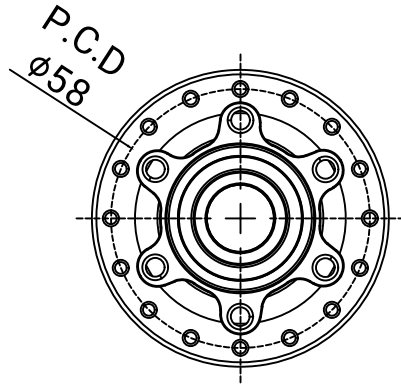


PITCH CIRCLE LEFT

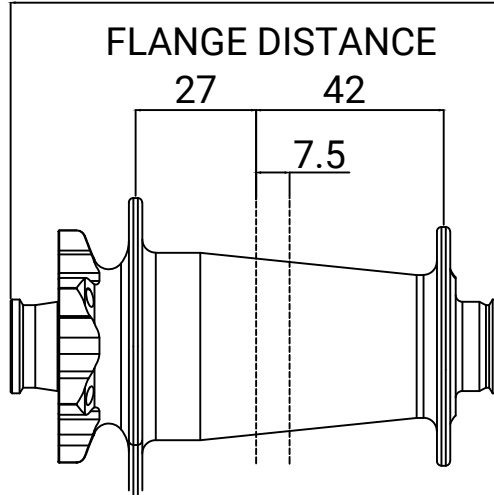


110

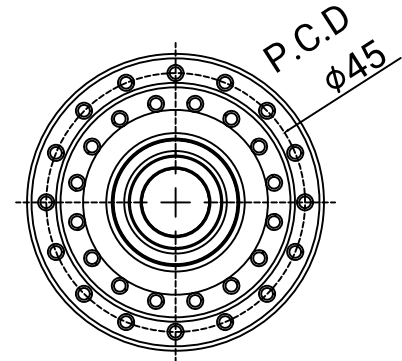
FLANGE DISTANCE

27 42

7.5

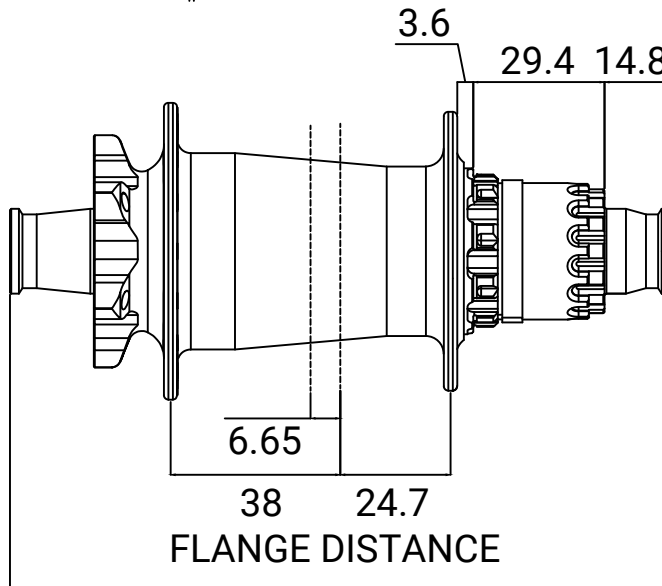


PITCH CIRCLE RIGHT

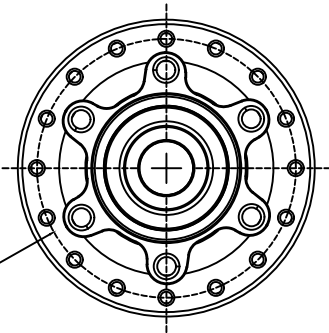


3.6

29.4 14.8

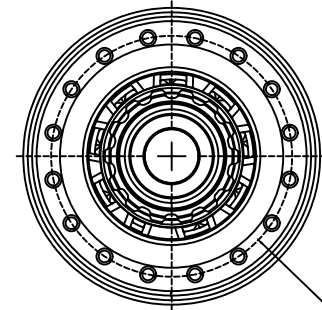


P.C.D
φ58



L

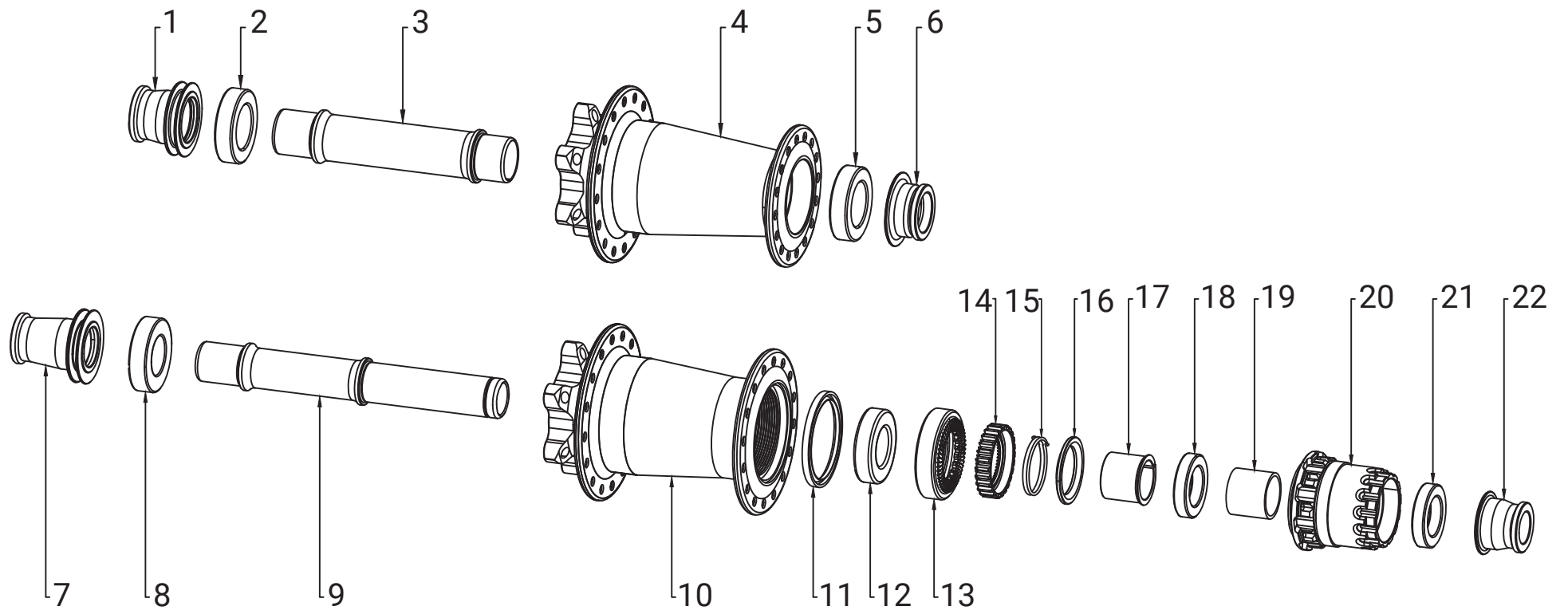
P.C.D
φ54



R

148

SPOKE HOLE φ2.6



1	end cap non drive side (AL6061)
2	ball bearing (TPI 17287)
3	axle (AL7075)
4	hub shell (AL7075)
5	ball bearing (TPI 17287)
6	end cap drive side (AL6061)

7	end cap non drive side (AL6061)
8	ball bearing (TPI 6902)
9	axle (AL7075)
10	hub shell (AL7075)
11	hub seal
12	ball bearing (TPI 6902)
13	ring nut (40CrMo)
14	ratchet (40CrMo)

15	spring
16	spring shim (AL6061)
17	holder spacer (AL6061)
18	ball bearing (TPI 6802)
19	spacer (AL6061)
20	hub body (AL7075)
21	ball bearing (TPI 6802)
22	end cap drive side (AL6061)